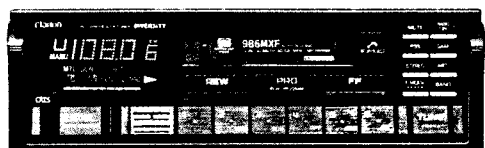


clarion Service Manual

Published by Service Administration Section



FM•MPX/MW/LW RADIO CASSETTE COMBINATION

Model **985MX II** (PE-9232A)
986MX II (PE-9257A)
986MXF (PE-9233A)

■ SPECIFICATIONS:

Radio section

Circuit system: Superheterodyne
 Tuning system: Electronic tuning
 Receiving frequency: LW 153kHz to 281kHz
 MW 531kHz to 1,602kHz
 UKW(FM) 87.5MHz to 108MHz
 Intermediate frequency: LW, MW 459kHz
 UKW(FM) 10.7MHz

Tape section

Reproduction system: Auto reversing
 4 track, 2 channel stereo
 cassette tape playback
 (Monaural also capable)
 Tape speed: 4.76cm/sec. (1 7/8 ips)

Composite

Output impedance: 10kΩ
 Output level: More than 250mV
 (at TAPE mode, 1kHz,
 OVU, max. output)
 Power supply voltage: DC 14.4V(10.8V to 15.6V)
 Negative ground
 Power consumption: Less than 2.5A
 (at max. output)
 Dimensions: Width 177.5mm
 Height 50mm
 Depth 150mm
 Weight: 1.65kg

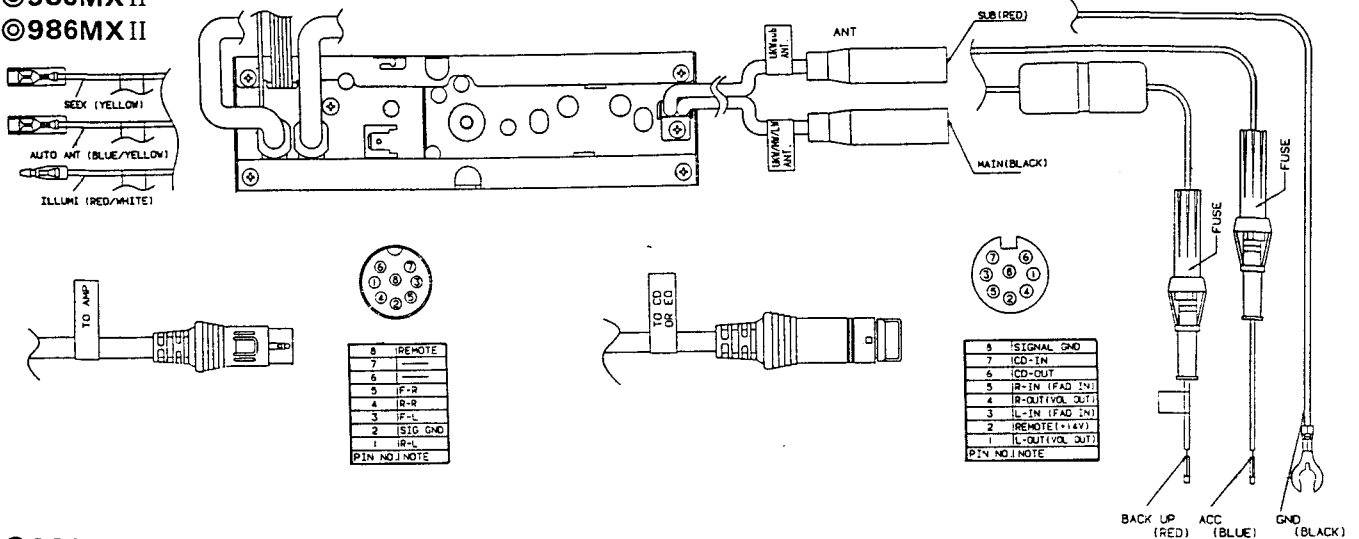
• Dolby noise reduction System manufactured under license from Dolby Laboratories Licensing Corporation
 • "Dolby" and the double-D symbol are trademarks of Dolby Laboratories Licensing Corporation

■ COMPONENTS:

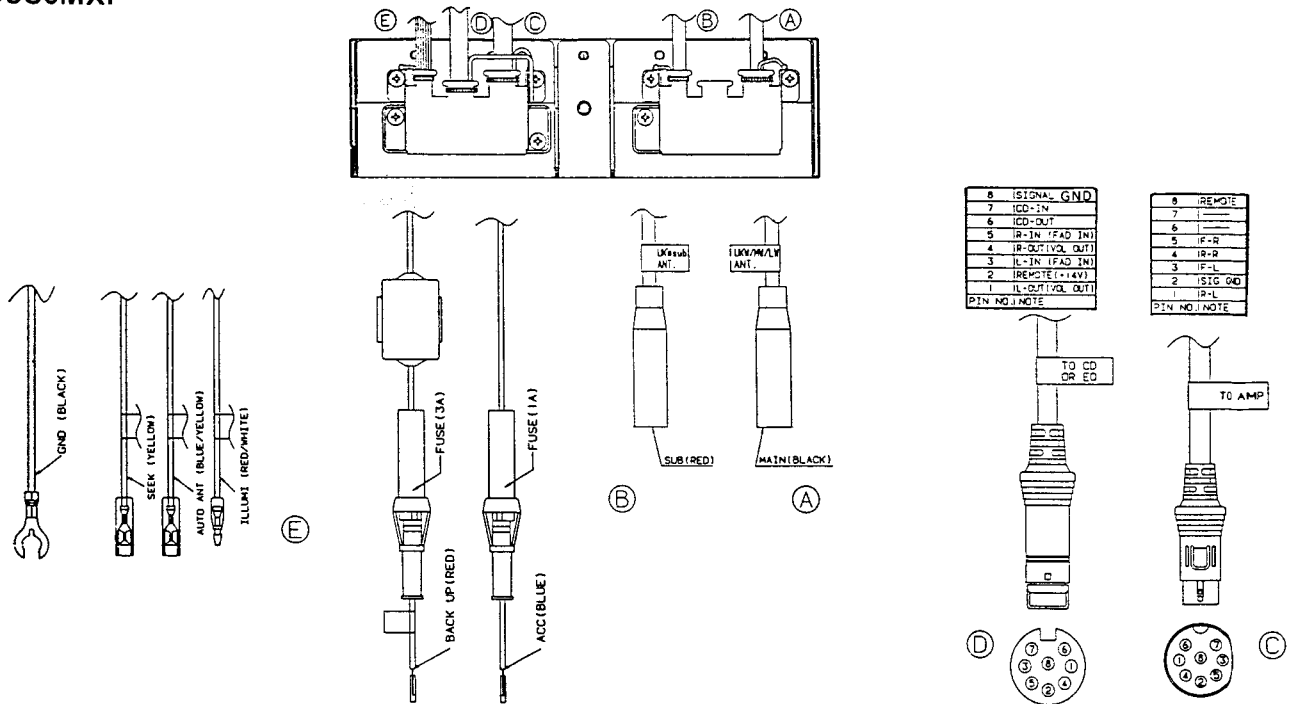
● 985MX II (PE-9232A-A)		
● 986MX II (PE-9257A-A)		
Main unit		1
Antenna jumper	093-0846-01	1
Mounting bracket	300-6954-00	1
Mounting bracket	300-7110-00	1
Parts bag	921-8022-00	1
{ Hook plate	330-8216-00	2
{ Cushion	345-2934-00	1
{ Spacer	345-3653-01	1
{ Tap-screw	700-5016-10	1
{ Plate nut	725-0181-00	1
{ Nut	722-0314-00	1
Parts bag	922-1500-00	1
{ Clamp	321-0911-00	3
{ Holder	347-2674-00	1
{ Lead antenna	816-1950-00	1
Escutcheon	370-3981-00	1
● 986MXF (PE-9233A-A)		
Main unit		1
Antenna jumper	093-0846-01	1
Mounting bracket	300-6954-00	1
Parts bag	922-1500-00	1
{ Clamp	321-0911-00	3
{ Holder	347-2674-00	1
{ Lead antenna	816-1950-00	1
Parts bag	921-8449-00	1
{ Cushion	345-2934-00	1
{ Spacer	345-3653-01	1
{ Tap-screw	700-5016-10	1
{ Nut	722-0314-00	1
{ Plate nut	725-0181-00	1

REARVIEW AND CONNECTORS:

©985MX II
©986MX II



©986MXF



PARTS LIST: ©Electrical section

©MAIN P.W.B

REF.NO.	PART NO.	DESCRIPTION	Q'TY	REF.NO.	PART NO.	DESCRIPTION	Q'TY
D _{201.402.403.404} D _{102.501-511} D ₆₁₂₋₆₁₅	001-0330-00	Diode (1SS119)	20	L ₆₅₀	010-2046-44	Coil	1
D _{605.610.611}	001-0360-00	Diode (S5566B)	3	VR _{1,2}	012-3808-00	Variable resistor (330Ω)	2
D ₆₁₆	001-0361-00	Diode (1SS198)	1	VR ₃	012-3808-06	Variable resistor (10kΩ SD)	1
D _{201.301.302.303}	001-0366-00	Diode (LTZ-MR15)	4	VR _{201.301}	012-3939-05	Variable resistor (10kΩ DOLBY)	2
D _{603.604.606}	001-0379-00	Diode (S5566G)	3	VR ₄	012-4318-11	Variable resistor (220kΩ)	1
D _{x1}	001-0421-18	Diode (MTZ5.1J)	1	S ₁	013-3799-00	Switch (DIVER)	1
D ₆₀₇	001-0423-19	Diode (MA4056)	1	C ₅₀₄	042-0347-00	Electrolytic capacitor (5.5V 0.1F)	1
D _{405.602}	001-0423-24	Diode (MA4091)	2	C ₅₀₃	042-0368-00	Electrolytic capacitor (5.5V 0.33F)	1
D ₄₀₆	001-0423-25	Diode (MA4100)	1	C ₂₈	043-0206-60	Ceramic capacitor (0.01μF)	1
D ₆₀₁	001-0423-28	Diode (MA4130)	1	CCT ₅₀₁	050-0078-03	Component circuit (10kΩx5)	1
IFT _{3,4}	005-0976-00	IF-transformer	2	CCT ₅₀₂	050-0088-01	Component circuit (33kΩx7)	1
IFT _{1,2}	005-0979-00	IF-transformer	2	IC _{213.214.601}	051-0285-51	IC (NJM4558S)	3
L _{250.350}	010-1835-00	Coil (LH-10B)	2	IC ₆₀₂	051-0296-01	IC (TA78L006AP)	1
L ₄₀₁	010-2046-12	Coil (2.2μH)	1	IC _{208.209.210}	051-0350-55	IC (NJM4558M)	3
L ₁₀₁	010-2046-17	Coil (5.6μH)	1	IC ₂₀₁	051-0422-51	IC (NJM4558D)	1

REF.NO.	PART NO.	DESCRIPTION	Q'TY
IC ₂₁₁	051-0478-00	IC (NJD6506S)	1
IC ₂	051-0541-00	IC (μ PC1266G)	1
IC ₂₁₂	051-0556-01	IC (NJM2058M)	1
IC ₂₀₆	051-0620-00	IC (LA2000)	1
IC ₂₀₄	051-0714-00	IC (TA7705P)	1
IC _{1.3}	051-0798-21	IC (TA7411AP-456)	2
IC ₂₀₅	051-0830-01	IC (CXA1097Q)	1
IC ₅₀₄	051-0849-21	IC (μ PD75108CW-023)	1
IC _{202.203}	051-0853-00	IC (M5201P)	2
IC ₂₀₇	051-0866-00	IC (LC7537N)	1
IC ₄₀₁	051-0867-00	IC (LC7217)	1
IC ₅₀₁	051-0868-00	IC	1
IC ₅₀₅	051-0869-00	IC (MB3771P-G)	1
IC ₅₀₃	051-0870-00	IC (TD62309P)	1
SUP _{1.101}	060-0122-01	Surge protector	2
X ₅₀₁	060-0133-01	Ceramic resonator (4.1 MHz)	1
L _{201.301}	060-0124-00	Coil	2
L ₁	060-0134-00	Coil	1
X ₄₀₁	061-1066-00	Crystal	1
Q ₆₀₄	100-1020-00	Transistor (2SA10200.Y)	1
Q ₅₁₀	100-1048-00	Transistor (2SA10480.Y,GR)	5
Q ₄₀₃	100-1150-00	Transistor (2SA1150-O.Y)	1
Q _{603.604}	101-0911-00	Transistor (2SB911MPQR)	2
Q ₄₀₉	102-1846-00	Transistor (2SC1846QRS)	1
Q _{601.602}	102-2120-00	Transistor (2SC2120-O.Y)	2
Q _{406.407}	102-2458-28	Transistor (2SC2458GR)	2
Q ₅₁₀	102-2458-50	Transistor (2SC2458Y,GR,BL)	11
Q _{505.605.606}	102-3400-00	Transistor (2SC3400AC)	7
Q _{304.305}	103-1450-00	Transistor (2SD1450)	6
Q _{1.101}	108-0161-28	FET (2SK161GR)	2
Q ₆₀₈	125-2008-00	FET (DTC114EF)	1
R ₃₇	111-1040-91	Film resistor (100k Ω -2%)	1
R _{215.315}	111-2220-91	Film resistor (2.2k Ω -2%)	2
R _{214.314}	111-6220-91	Film resistor (6.2k Ω -2%)	2
R _{231.331}	116-1011-10	Chip resistor ($\frac{1}{8}$ W100 Ω)	2
R ₂₃	116-1031-10	Chip resistor ($\frac{1}{8}$ W10k Ω)	1
R ₂₃₁	116-1051-10	Chip resistor ($\frac{1}{8}$ W1M Ω)	1
R _{226.326}	116-1221-10	Chip resistor ($\frac{1}{8}$ W1.2k Ω)	2
R _{212.312}	116-1231-10	Chip resistor ($\frac{1}{8}$ W12k Ω)	2
R _{5.20}	116-1521-10	Chip resistor ($\frac{1}{8}$ W1.5k Ω)	2
R ₁₂	116-1531-10	Chip resistor ($\frac{1}{8}$ W15k Ω)	1
R _{6.21.213.313}	116-1831-10	Chip resistor ($\frac{1}{8}$ W18k Ω)	4
R _{210.310}	116-2211-10	Chip resistor ($\frac{1}{8}$ W220 Ω)	2
R _{16.208.209.308.309}	116-2231-10	Chip resistor ($\frac{1}{8}$ W22k Ω)	5
R _{10.25.227.327}	116-3321-10	Chip resistor ($\frac{1}{8}$ W3.3k Ω)	4
R _{4.211.311}	116-3341-10	Chip resistor ($\frac{1}{8}$ W330k Ω)	3
R _{9.18.24}	116-4721-10	Chip resistor ($\frac{1}{8}$ W4.7k Ω)	3
R _{220.229.230.320.329.330.535.550.551}	116-4731-10	Chip resistor ($\frac{1}{8}$ W47k Ω)	9
R _{221.321}	116-5621-10	Chip resistor ($\frac{1}{8}$ W5.6k Ω)	2
R _{7.11.26}	116-6821-10	Chip resistor ($\frac{1}{8}$ W6.8k Ω)	3
R _{222.223.323}	116-8221-10	Chip resistor ($\frac{1}{8}$ W8.2k Ω)	3
C _{202.302.402.403}	160-1012-05	Ceramic capacitor (100pF B) HD	4
C ₃₆	160-3312-05	Ceramic capacitor (330pF B) HD	1

REF.NO.	PART NO.	DESCRIPTION	Q'TY
C ₃₁	160-5612-05	Ceramic capacitor (560pF B) HD	1
C _{201.301}	160-8212-05	Ceramic capacitor (820pF) HD	2
C _{18.20.35.102.502}	171-1022-06	Ceramic capacitor (0.001 μ F) SC	5
C _{6.7.22.43.104}	171-1032-06	Ceramic capacitor (0.01 μ F) SC	5
C _{40.41.101.x5}	171-1532-06	Ceramic capacitor (0.015 μ F) SC	4
C ₁₀₆	171-2222-06	Ceramic capacitor (0.0022 μ F) SC	1
C _{1.3.4.406.412.580.x7}	171-2232-06	Ceramic capacitor (0.022 μ F) SC	7
C ₂	171-2233-06	Ceramic capacitor (0.022 μ F \pm 20%) SC	1
C ₂₂₆	171-3322-06	Ceramic capacitor (0.0033 μ F) SC	1
C ₁₀₅	171-3332-06	Ceramic capacitor (0.033 μ F) SC	1
C _{32.107}	171-4722-06	Ceramic capacitor (0.0047 μ F) SC	2
C ₂₇	171-4732-06	Ceramic capacitor (0.047 μ F) SC	1
C _{215.315}	171-6832-06	Ceramic capacitor (0.068 μ F) SC	2
C _{505.581.613}	172-1042-20	Polyester capacitor (63V0.1 μ F) SS	3
C _{223.224.323.324}	172-1242-20	Polyester capacitor (0.12 μ F) SS	4
C _{203.204.303.304}	173-1022-10	Polyester capacitor (0.001 μ F) S	4
C _{218.318}	173-1031-10	Polyester capacitor (0.01 μ F) S	2
C _{206.306}	173-1232-10	Polyester capacitor (0.012 μ F) S	2
C _{213.313}	173-1531-10	Polyester capacitor (0.015 μ F) S	2
C _{210.310}	173-4721-10	Polyester capacitor (0.0047 μ F) S	2
C _{216.316}	173-4731-10	Polyester capacitor (0.047 μ F) S	2
C _{217.317}	173-6821-10	Polyester capacitor (0.0068 μ F) S	2
C ₄₀₅	174-1200-13	Ceramic capacitor (12pF CH) TC	1
C ₄₀₄	174-1800-13	Ceramic capacitor (18pF CH) TC	1
C _{26.42}	175-1007-00	Ceramic chip capacitor (10pF CH) TC	2
C _{221.321}	175-2701-00	Ceramic chip capacitor (27pF CH) TC	2
C ₅	177-1022-05	Ceramic chip capacitor (0.001 μ F) HD	1
C _{8.23~25.99}	177-1032-05	Ceramic chip capacitor (0.01 μ F) HD	5
C ₃₂₆	177-3322-05	Ceramic chip capacitor (0.0033 μ F) HD	1
C _{222.322}	177-3922-05	Ceramic chip capacitor (0.0039 μ F) HD	2
C ₉	177-4722-05	Ceramic chip capacitor (0.0047 μ F) HD	1
C ₁₀	177-4732-05	Ceramic chip capacitor (0.047 μ F) HD	1
C ₁₃	177-5612-05	Ceramic chip capacitor (560pF) HD	1
C ₆₀₂	179-1073-33	Electrolytic capacitor (16V100 μ F) S	1
C _{209.309}	179-2273-23	Electrolytic capacitor (10V220 μ F) S	2
C ₆₀₈	042-0357-00	Electrolytic capacitor (16V1000 μ F)	1
C _{410.411}	182-1073-22	Electrolytic capacitor (10V100 μ F) SS	2
C ₆₀₉	182-1073-32	Electrolytic capacitor (16V100 μ F) SS	1
C ₁₀₃	183-1043-62	Electrolytic capacitor (50V0.1 μ F) USS	1
C _{11.12.15.30.33.38.39.106.229.329.x8}	183-1053-62	Electrolytic capacitor (50V1 μ F) USS	11
C _{14.17.34.37.208.219.220.308.319.320.506.605.606.607.610.611.612.614.x9}	183-1063-32	Electrolytic capacitor (16V10 μ F) USS	19
C _{205.305}	183-1073-12	Electrolytic capacitor (6.3V100 μ F) USS	2
C _{212.312}	183-1543-62	Electrolytic capacitor (50V0.15 μ F) USS	2
C _{19.21.214.314}	183-2243-62	Electrolytic capacitor (50V0.22 μ F) USS	4
C _{16.29.231.232.233.331.332.333.408}	183-2253-62	Electrolytic capacitor (50V2.2 μ F) USS	9
C ₄₀₉	183-3343-62	Electrolytic capacitor (50V0.33 μ F) USS	1
C ₄₀₇	183-3353-62	Electrolytic capacitor (50V3.3 μ F) USS	1
C _{43.x4}	183-3363-22	Electrolytic capacitor (10V33 μ F) USS	2
C _{211.227.230.311.327.330.x6}	183-4743-62	Electrolytic capacitor (50V0.47 μ F) USS	7
C _{207.225.228.234.260.307.325.328.334.360}	183-4753-52	Electrolytic capacitor (35V4.7 μ F) USS	10
C ₄₀₁	183-4763-12	Electrolytic capacitor (6.3V47 μ F) USS	1
C _{413.601.603.604.x1.x2}	183-4763-32	Electrolytic capacitor (16V47 μ F) USS	6

©UKW TUNER PACK 880-1408A

REF.NO.	PART NO. (ORDER NO.)	DESCRIPTION	Q'TY
D _{101.201}	001-0368-00	Diode (1SV121)	2
D _{103.203}	001-0423-13	Diode (MA4033)	2
D _{102.104.105.202.204}	001-0442-20	Diode (1SV147)	5
TC _{101.201}	004-1567-00	Trimmer (20pF)	2
IFT _{101.201}	005-0966-00	IF-transformer (W-BALANCE)	2
IFT _{102.103.202.203}	005-0967-50	IF-transformer (MS3LK)	4
L _{104.204}	010-1570-01	Coil (RF)	2
L _{101.201}	010-2046-03	Coil (0.39μH)	2
L _{103.203}	010-2046-14	Coil (3.3μH)	2
L ₁₀₆	010-2104-00	Coil (OSC)	1
L _{102.105}	010-2105-00	Coil (L4.5T)	2
L _{202.205}	010-2106-00	Coil (R4.5T)	2
IC _{101.201}	051-0730-00	IC (HA12438FP)	2
R _{114.213}	117-1011-10	Chip resistor (1/8W100Ω) S	2
R _{107.110.111.112.207.210.211}	117-1021-10	Chip resistor (1/8W1kΩ) S	7
R _{113.212}	117-1031-10	Chip resistor (1/8W10kΩ) S	2
R _{103.105.203.205}	117-1041-10	Chip resistor (1/8W100kΩ) S	4
R _{106.206}	117-2211-10	Chip resistor (1/8W220Ω) S	2

REF.NO.	PART NO. (ORDER NO.)	DESCRIPTION	Q'TY
R _{101.109.115.201.209}	117-3331-10	Chip resistor (1/8W33kΩ) S	5
R _{108.208}	117-4701-10	Chip resistor (1/8W47Ω) S	2
R _{104.204}	117-6831-10	Chip resistor (1/8W68kΩ) S	2
Q _{103.203}	124-0114-15	FET (3SK114)	2
Q ₁₀₁	125-0002-02	Transistor (RN240285R)	1
Q ₂₀₁	125-0002-02	Transistor (RN240285L)	1
Q ₁₀₂	125-0006-00	Transistor (UN2110)	1
Q ₂₀₂	125-0006-00	Transistor (UN2110)	1
C _{112.212}	176-1007-00	Ceramic chip capacitor (10pF CH) TC.S	2
C _{103.106.116.203.206}	176-1501-00	Ceramic chip capacitor (15pF CH) TC.S	5
C _{113.115.120}	176-2201-00	Ceramic chip capacitor (22pF CH) TC.S	3
C _{104.204}	176-5601-00	Ceramic chip capacitor (56pF CH) TC.S	2
C _{105.109.110.205.209.210}	176-6097-00	Ceramic chip capacitor (6pF CH) TC.S	6
C _{102.202}	176-8097-00	Ceramic chip capacitor (8pF CH) TC.S	2
C _{213.214}	178-1022-05	Ceramic chip capacitor (0.001μF) HD.S	2
C _{101.107.108.114.119.201.207.208.215}	178-1032-05	Ceramic chip capacitor (0.01μF) HD.S	9
C _{111.118.211.217}	178-2232-05	Ceramic chip capacitor (0.022μF) HD.S	4
C _{117.216}	183-1053-62	Electrolytic capacitor (50V1μF) USS	2

©L.C.D P.W.B

REF.NO.	PART NO.	DESCRIPTION	Q'TY
C ₅₀₁	043-0196-09	Ceramic capacitor (680pF)	1

REF.NO.	PART NO.	DESCRIPTION	Q'TY
IC ₅₀₂	051-0836-00	IC (LC7582)	1

©NC/MPX BLOCK Ass'y 880-0304A

REF.NO.	PART NO.	DESCRIPTION	Q'TY
VR ₁	012-3707-05	Variable resistor (VR10kΩ)	1
VR ₂	012-3707-08	Variable resistor (VR100kΩ)	1
CCT ₁	050-0099-50	Component circuit	1
IC ₁	051-0407-00	IC (LA2110)	1
IC ₂	051-0733-01	IC (LA3430)	1
X ₁	060-0115-02	Ceramic resonator	1
Q ₁	102-2458-49	Transistor (2SC2458-YGR)	1
R _{2.12}	117-1041-10	Chip resistor (1/8W100kΩ) S	2
R _{8.9}	117-2221-10	Chip resistor (1/8W2.2kΩ) S	2
R ₁₄	117-2231-10	Chip resistor (1/8W22kΩ) S	1
R ₆	117-3331-10	Chip resistor (1/8W33kΩ) S	1
R ₁₀	117-3921-10	Chip resistor (1/8W3.9kΩ) S	1
R ₁	117-4721-10	Chip resistor (1/8W4.7kΩ) S	1
R _{4.11.13}	117-5621-10	Chip resistor (1/8W5.6kΩ) S	3

REF.NO.	PART NO.	DESCRIPTION	Q'TY
R ₅	117-6821-10	Chip resistor (1/8W6.8kΩ) S	1
R ₃	117-8211-10	Chip resistor (1/8W820Ω) S	1
C ₆	171-2223-06	Ceramic capacitor (0.0022μF) SC	1
C ₁₆	171-3333-06	Ceramic capacitor (0.033μF) SC	1
C ₇	171-4733-06	Ceramic capacitor (0.047μF) SC	1
C _{2.3}	178-1032-05	Ceramic chip capacitor (0.01μF) HD.S	2
C ₁₀	178-2232-05	Ceramic chip capacitor (0.022μF) HD.S	1
C ₉	178-4722-05	Ceramic chip capacitor (0.0047μF) HD.S	1
C _{4.15}	178-6822-05	Ceramic chip capacitor (0.0068μF) HD.S	2
C _{11.12}	182-1053-62	Electrolytic capacitor (50V1μF) SS	2
C ₁₄	182-1063-32	Electrolytic capacitor (16V10μF) SS	1
C ₁₃	182-2243-62	Electrolytic capacitor (50V0.22μF) SS	1
C ₅	182-2263-32	Electrolytic capacitor (16V22μF) SS	1
C _{1.8}	182-4753-52	Electrolytic capacitor (35V4.7μF) SS	2

©SDK P.W.B 880-0201B

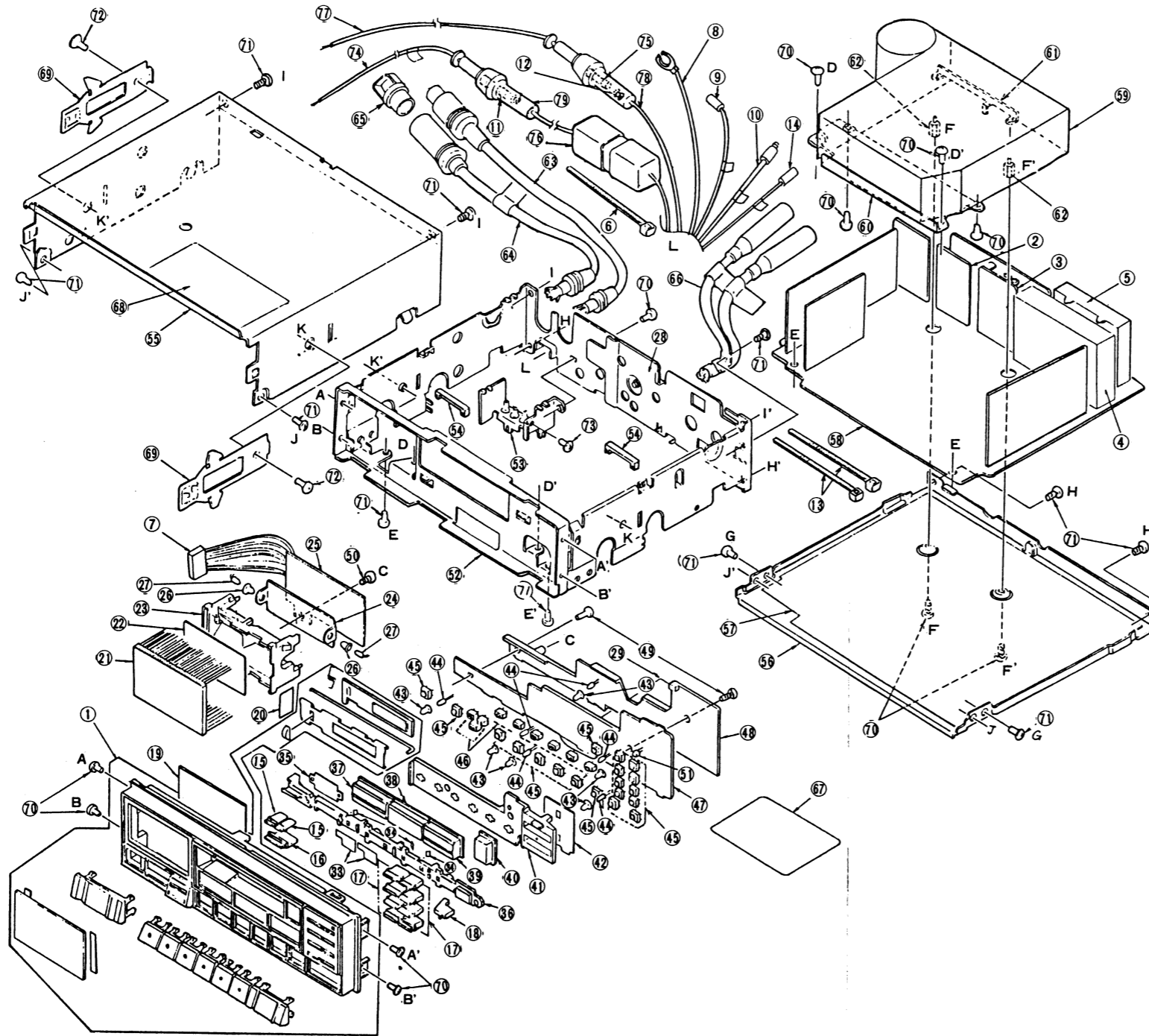
REF.NO.	PART NO.	DESCRIPTION	Q'TY
VR ₁	012-3707-05	Variable resistor (VR-10kΩ)	1
CCT ₁	050-0103-00	Component circuit (TCB06T0006)	1
IC ₂	051-0501-00	IC (LA3365)	1
IC ₁	051-0739-00	IC (LA2220)	1
X ₁	060-0115-01	Ceramic resonator (CSB456F11)	1
C ₂	171-4733-06	Ceramic capacitor (0.047μF)	1
C ₁₅	172-6831-20	Polyester capacitor (0.068μF)	1
C _{5.8}	042-0249-00	Electrolytic capacitor (16V0.22μF TAN)	2
C ₁₄	182-1053-62	Electrolytic capacitor (50V1μF)	1

REF.NO.	PART NO.	DESCRIPTION	Q'TY
C _{3.11.16}	182-1063-32	Electrolytic capacitor (16V10μF)	3
C ₉	182-1073-12	Electrolytic capacitor (6.3V100μF)	1
C ₁	182-1073-22	Electrolytic capacitor (10V100μF)	1
C ₇	182-2263-22	Electrolytic capacitor (10V22μF)	1
C ₆	182-3343-62	Electrolytic capacitor (50V0.33μF)	1
C ₁₂	183-6863-22	Electrolytic capacitor (10V68μF)	1
C ₄	182-4743-62	Electrolytic capacitor (50V0.47μF)	1
C ₁₃	182-4753-52	Electrolytic capacitor (35V4.7μF)	1
C ₁₀	182-4763-22	Electrolytic capacitor (10V47μF)	1

Note : OM (Oxidized Metal) SS (Super Small)
 S (Small) TC (Temperature-Compensating)
 HD (Higher Dielectric) LL (Low Leak)
 SC (Semi-Conductor) USS (Ultra Super Small)

EXPLODED VIEW • PARTS LIST:

© Main section
 © 985MX II
 © 986MX II



REF.NO.	PART NO.	DESCRIPTION	Q'TY
1	940-0938A	Escutcheon ass'y (985MX II)	1
	940-0940A	Escutcheon ass'y (986MX II)	
2	880-0201B	SDK block ass'y	1
3	880-0304A	NC-MPX block ass'y	1
4	941-0159-02	MW/LW tuner	1
5	880-1408A	UKW tuner block ass'y	1
6	335-0833-01	Lead clamp	1
7	852-9660-00	Extension lead	1
8	840-0345-02	Bonding wire	1

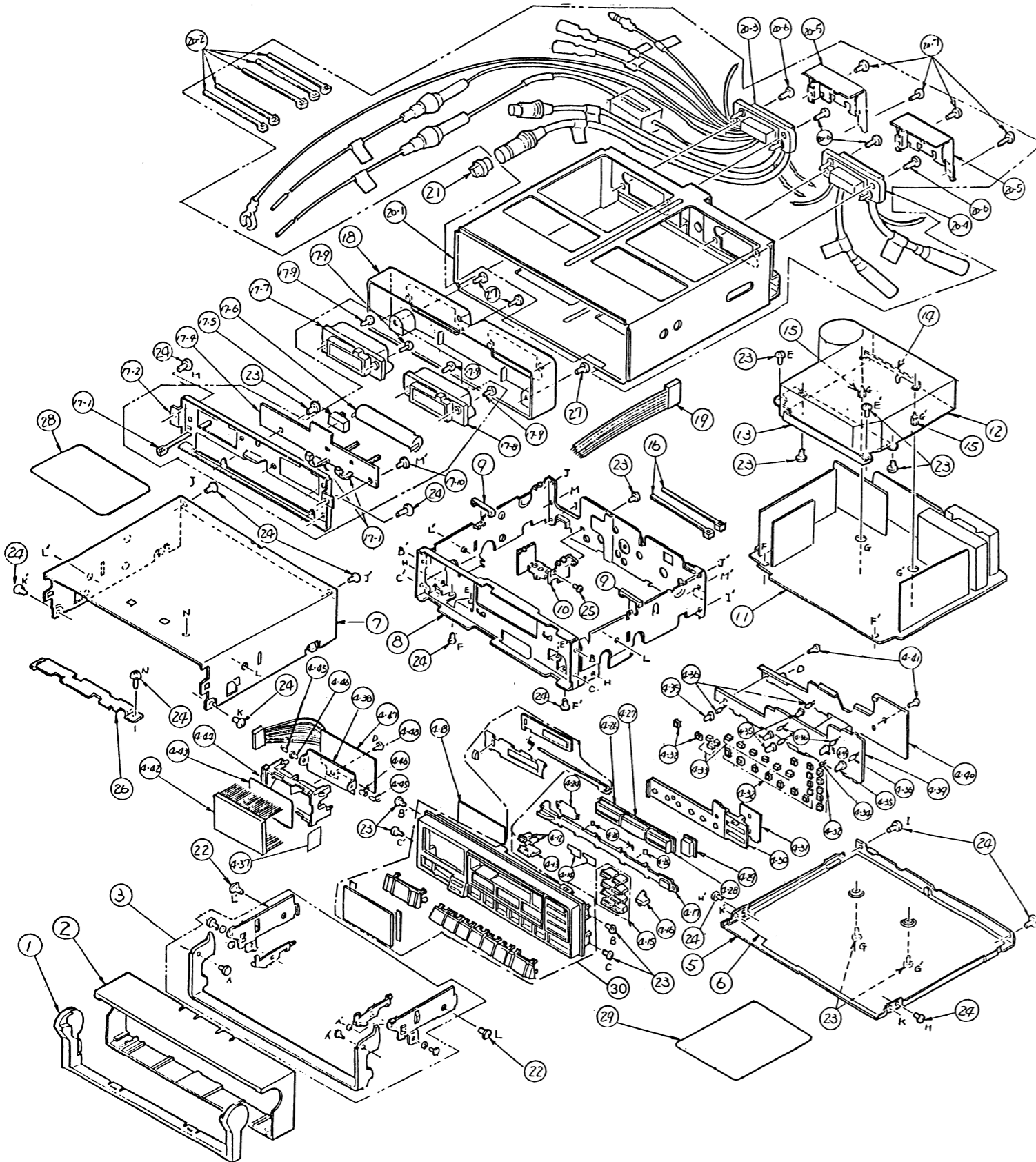
REF.NO.	PART NO.	DESCRIPTION	Q'TY
9	852-9708-00	Extension lead (SEEK)	1
10	850-2410-00	A-lead (ILLUMI.)	1
11	120-0030-03 120-0030-00	Fuse (3A) (985MX II) (986MX II)	1
12	010-1610-02	Coil (Use only 985MX II)	1
13	335-0833-03	Lead clamp	2
14	852-9709-00	Extension lead (ANT)	1
15	382-1223-00	Button (LD, 180)	2
16	382-1224-00	Button (A-MOD)	1
17	382-1222-00	Button	8

REF.NO.	PART NO.	DESCRIPTION	Q'TY
18	335-2477-00	Reflector	1
19	371-3422-02	Trim plate (985MX II) (986MX II)	1
	371-3422-03		
20	347-2374-00	Shade	1
21	379-0156-01	Indicator	1
22	371-3419-01	Trim plate	1
23	335-2429-00	LCD holder	1
24	313-1297-00	Heat sink	1
25	099-7967-00	P.W.B	1
26	345-3667-13	P.L. cap	2

REF.NO.	PART NO.	DESCRIPTION	Q'TY
27	017-0379-00	Pilot lamp	2
28	716-0726-01	Screw	1
29	099-7973-00	P.W.B	1
33	347-2360-00	Spacer	2
34	347-2361-00	Spacer	3
35	371-3425-00	Trim plate	1
36	335-2419-00	Illumi. plate	1
37	382-1220-01	Button (REW)	1
38	382-1221-00	Button (PRO)	1
39	382-1220-00	Button (FF)	1
40	382-1219-01	Button (EJECT)	1
41	335-2418-00	Illumi. plate	1
42	371-3424-00	Trim plate	1
43	345-4441-01	P.L. cap	6
44	017-0345-09	Pilot lamp	6
45	013-3694-00	Tact switch	19
46	013-3812-00	Tact switch	9
47	099-7966-00	P.W.B	1
48	374-0896-00	Back plate	1
49	716-0750-00	Screw	2
50	716-0648-00	Screw	1
51	001-0459-01	Diode	1
52	312-0281-04	Chassis	1
53	944-0743-00	Filter	1
54	335-2469-00	P.W.B holder	2
55	303-0339-03	Upper cover	1
56	304-0394-03	Lower cover	1
57	347-2356-00	Insulator Ass'y	1
58	099-8302-00	P.W.B	1
59	930-0530-09	Tape mechanism	1
60	330-8588-00	Mechanism bracket (FRONT)	1
61	330-8589-00	Mechanism bracket (REAR)	1
62	716-0747-00	Screw	2
63	854-0495-00	Extension lead (B PIN)	1
64	852-9677-02	Extension lead (B PIN)	1
65	076-0267-00	Plug	1
66	092-0615-00	Antenna receptacle	1
67	286-6961-00	Set plate (985MX II)	1
	286-7004-00	Set plate (986MX II)	
68	285-0915-00	Guide label	1
69	750-2486-00	Spring	2
70	714-3005-81	Machine screw (M3x5)	11
71	731-3006-80	Tap tight (M3x6)	11
72	714-3006-41	Machine screw (M3x6)	2
73	714-3006-81	Machine screw (M3x6)	1
74	850-2415-00	A-lead (B-UP CAR)	1
75	120-0010-03 120-0010-00	Fuse (1A) (985MX II) (986MX II)	1
76	850-2413-00	A-lead (B-UP SET)	1
77	850-2414-00	A-lead (ACC CAR)	1
78	850-1822-00	A-lead (ACC SET)	1
79	010-1610-01	Coil (Use only 985MX II)	1

EXPLODED VIEW • PARTS LIST:

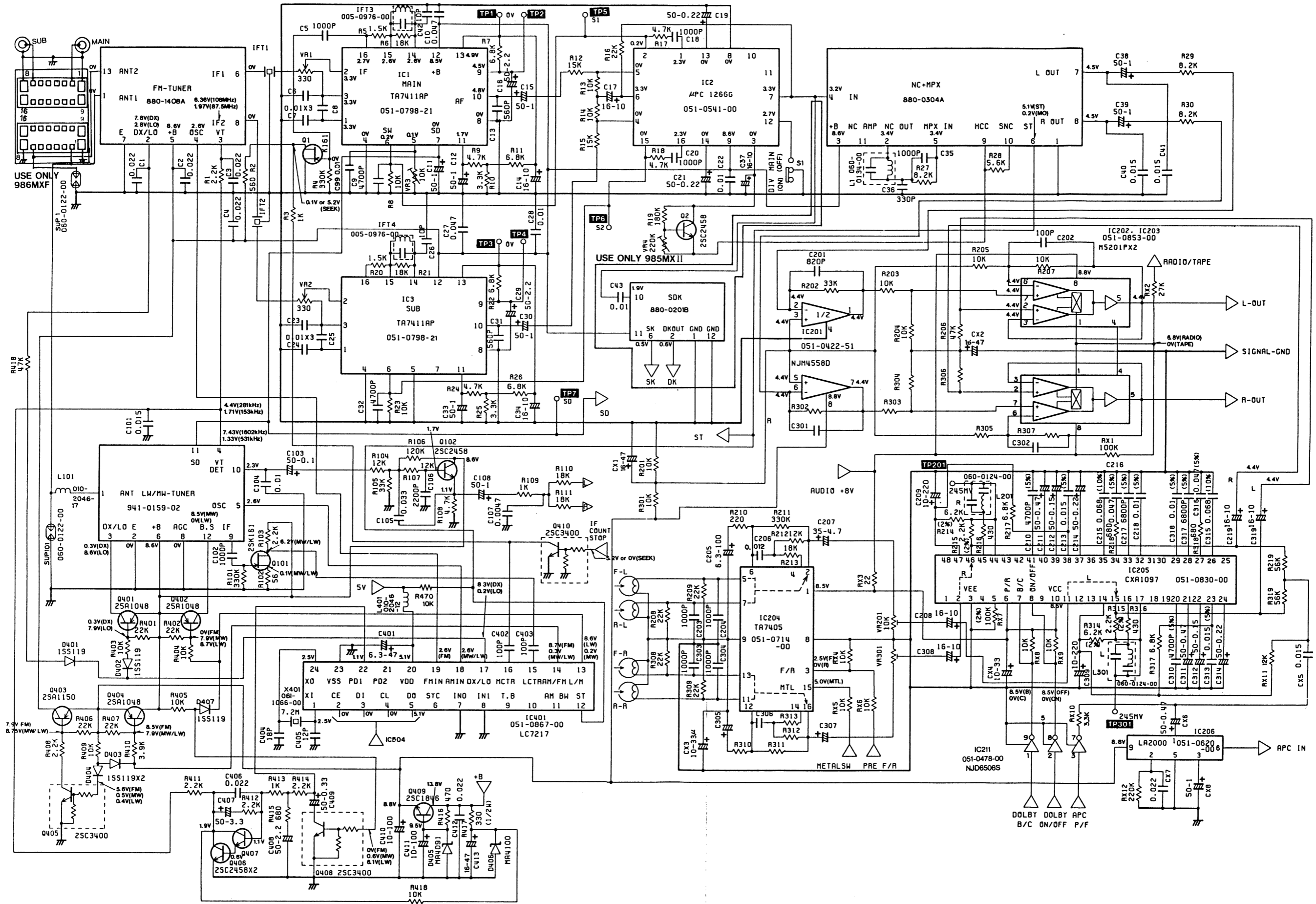
© Main section
© 986MXF



REF.NO.	PART NO.	DESCRIPTION	Q'TY
1	335-2772-00	Handle cover	1
2	370-5011-00	Outside escutcheon	1
3	948-0175-00	Handle Ass'y	1
4-12	382-1223-00	Button (LD, 180)	2
4-13	382-1224-00	Button (A-MODE)	1
4-14	347-2360-00	Spacer	2
4-15	382-1222-00	Button	8
4-16	335-2477-00	Reflector	1
4-17	335-2419-00	Illumi. plate	1
4-18	371-3422-03	Trim plate	1
4-24	371-3425-00	Trim plate	1
4-25	347-2361-00	Spacer	3
4-26	382-1220-01	Button (REW)	1
4-27	382-1221-00	Button (PRO)	1
4-28	382-1220-00	Button (FF)	1
4-29	382-1219-01	Button (EJECT)	1
4-30	335-2418-00	Illumi. plate	1
4-31	371-3424-00	Trim plate	1
4-32	013-3694-00	Tact switch	19
4-33	013-3812-00	Tact switch	9
4-34	001-0459-01	Diode	1
4-35	345-4441-01	Lamp rubber	6
4-36	017-0345-09	Pilot lamp	6

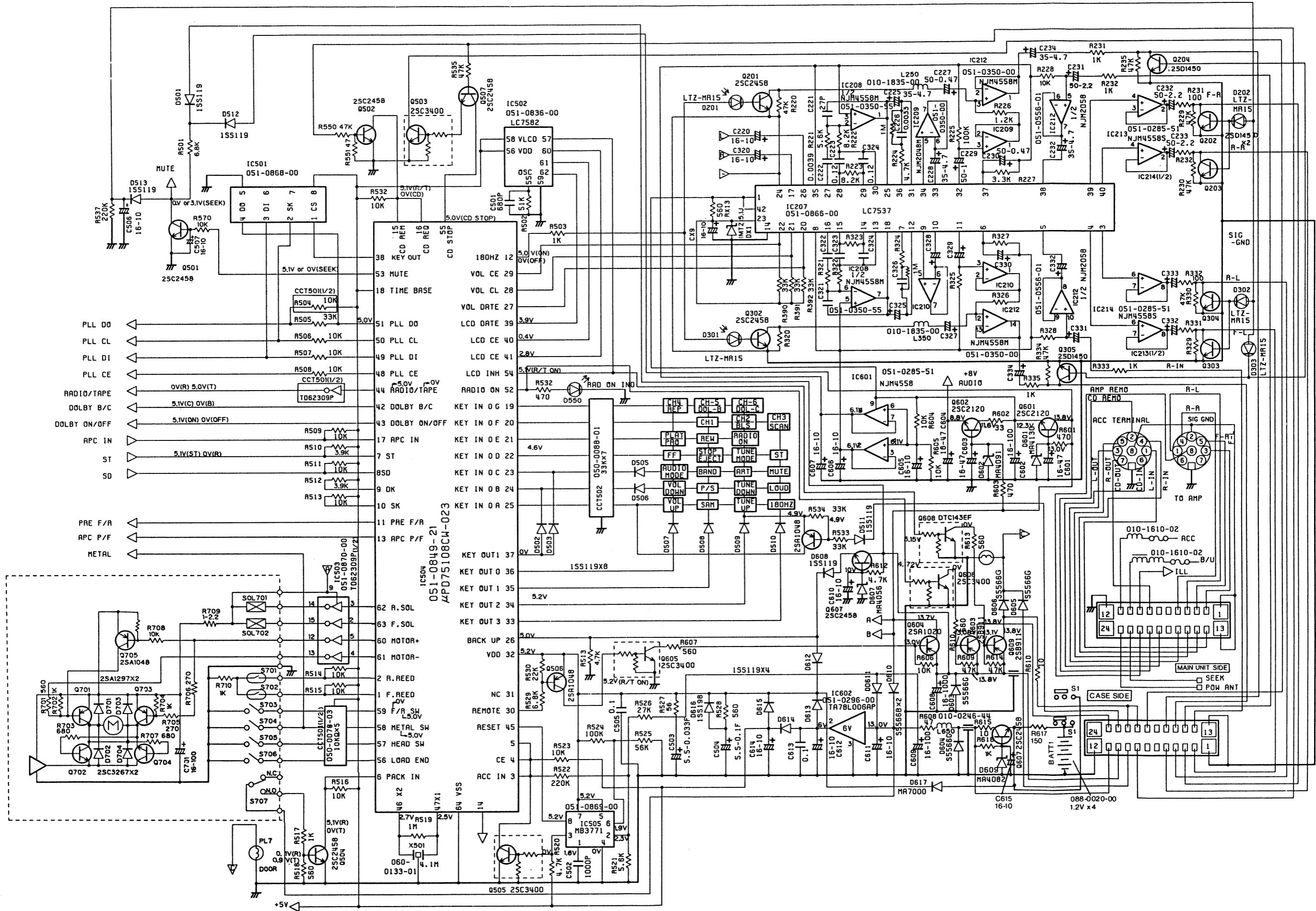
REF.NO.	PART NO.	DESCRIPTION	Q'TY
4-37	347-2374-00	Shade	1
4-38	313-1297-00	Heat sink	1
4-39	099-7966-00	P.W.B	1
4-40	374-0896-00	Back plate	1
4-41	716-0750-00	Screw	2
4-42	379-0156-01	Indicator	1
4-43	371-3419-01	Trim plate	1
4-44	335-2429-00	LCD holder	1
4-45	017-0379-00	Pilot lamp	2
4-46	347-3667-13	Lamp rubber	2
4-47	099-7967-00	P.W.B	1
4-48	716-0648-00	Screw	1
5	304-0394-04	Lower cover	1
6	347-2356-00	Insulator	1
7	303-0339-04	Upper cover	1
8	312-0281-03	Chassis	1
9	335-2469-00	P.W.B holder	2
10	944-0743-00	Filter ass'y	1
11	099-8302-00	P.W.B	1
12	930-0530-09	Tape mechanism	1
13	330-8588-00	Mechanism bracket (FRONT)	1
14	330-8589-00	Mechanism bracket (REAR)	1
15	716-0747-00	Screw	2
16	335-0833-03	Lead clamp	3
17-1	335-0833-03	Lead clamp	3
17-2	330-8829-00	Connector holder	1
17-4	099-8303-00	P.W.B	1
17-5	013-3736-00	Switch	1
17-6	088-0020-00	Battery	1
17-7	854-0238-00	Extension lead (DIN)	1
17-8	854-0237-00	Extension lead (ANT)	1
17-9	714-4012-11	Machine screw (M4x12)	4
17-10	714-3005-81	Machine screw (M3x5)	1
18	335-2775-00	Rear cover	1
19	854-0236-00	Extension lead	1
20-1	300-7454-00	Mounting bracket	1
20-2	335-0833-01	Lead clamp	5
20-3	854-0428-00	Extension lead (DIN)	1
20-4	854-0427-00	Extension lead (ANT)	1
20-5	330-8576-01	Shield cover	2
20-6	731-3010-80	Tap tight (M3x10)	4
20-7	731-3006-80	Tap tight (M3x6)	4
21	076-0267-00	Plug	1
22	714-3006-41	Machine screw (M3x6)	2
23	714-3005-81	Machine screw (M3x5)	12
24	731-3006-80	Tap tight (M3x6)	13
25	714-3006-81	Machine screw (M3x6)	1
26	330-8828-00	Escutcheon bracket	1
27	714-3005-89	Machine screw (M3x5)	3
28	285-0915-00	Guide label	1
29	286-6962-00	Set plate	1
30	940-0939A	Escutcheon ass'y	1

CIRCUIT DIAGRAM:
©985MX II, 986MX II, 986MXF



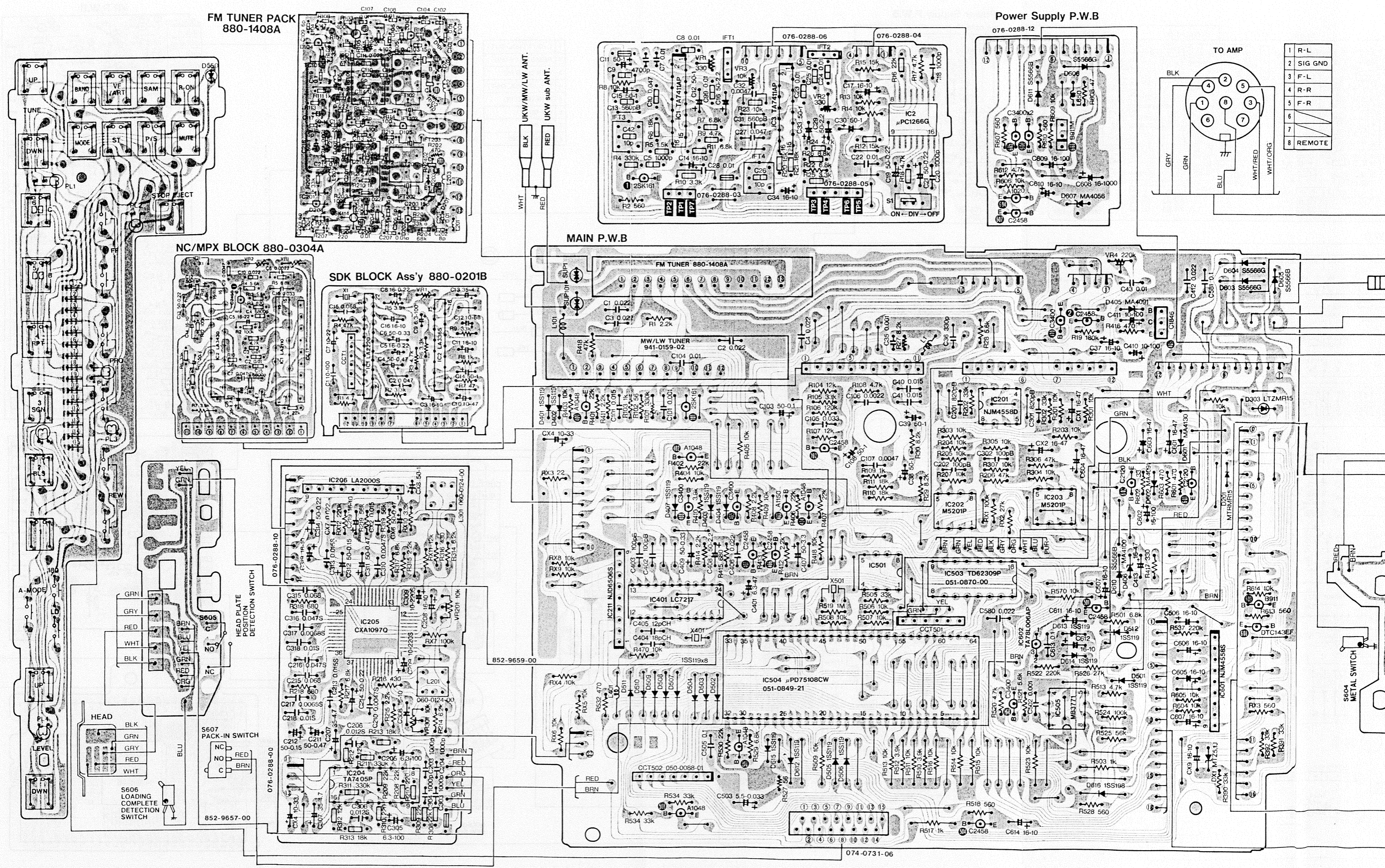
CIRCUIT DIAGRAM:

©986MXF



PRINTED WIRING BOARD:

©985MX II, 986MX II



FM TUNER PACK 880-1408A

Power Supply P.W.B

NC/MPX BLOCK 880-0304A

SDK BLOCK Ass'y 880-0201B

MAIN P.W.B

FM TUNER 880-1408A

MW/LW TUNER 941-0159-02

IC206 LA2000S

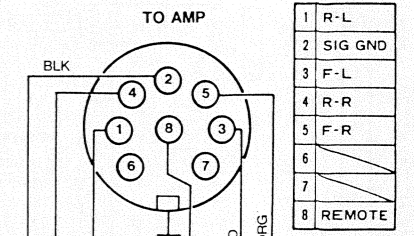
IC205 CXA1097Q

IC401 LC7217

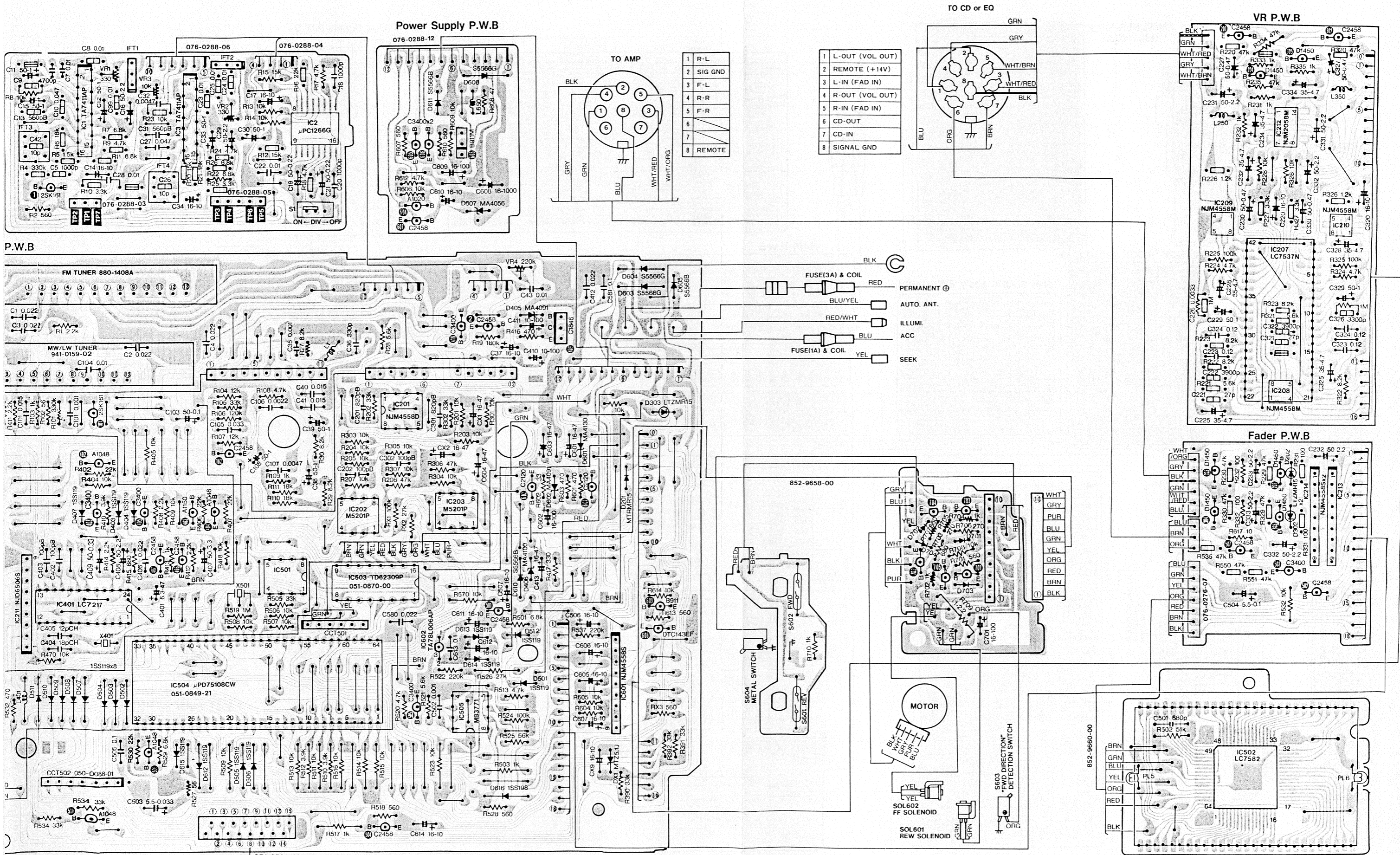
IC504 PD75108CW 051-0849-21

OCT502 050-0088-01

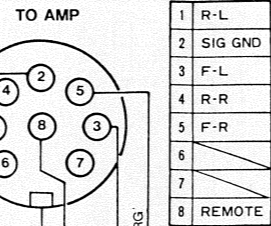
074-0731-06



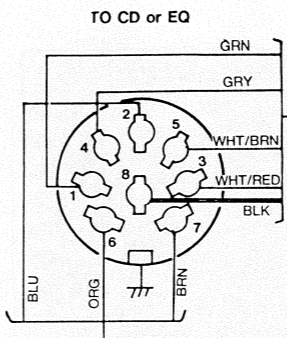
- 1 R-L
- 2 SIG GND
- 3 F-L
- 4 R-R
- 5 F-R
- 6
- 7
- 8 REMOTE



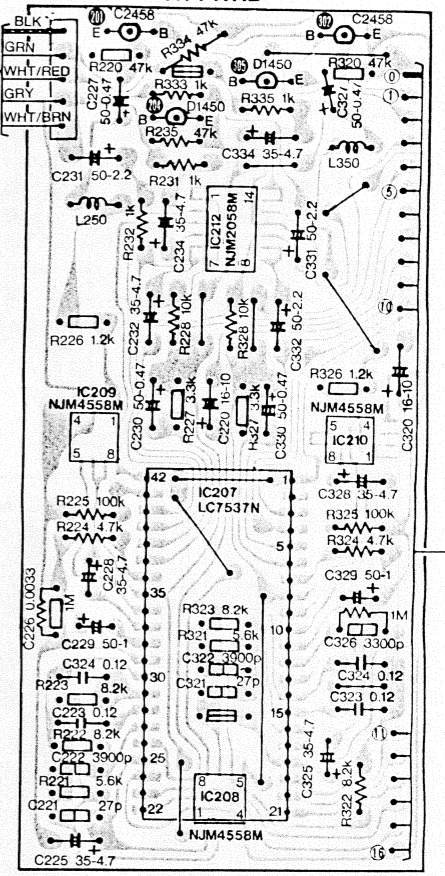
Power Supply P.W.B



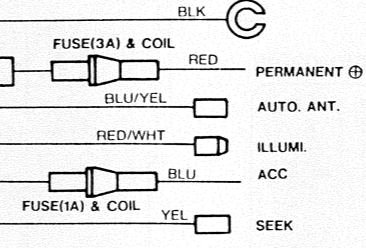
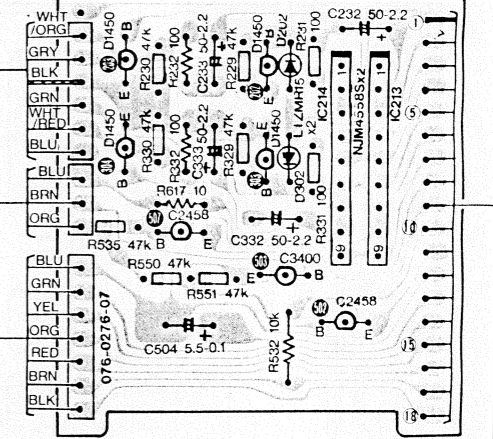
- | | |
|---|-----------------|
| 1 | L-OUT (VOL OUT) |
| 2 | REMOTE (+14V) |
| 3 | L-IN (FAD IN) |
| 4 | R-OUT (VOL OUT) |
| 5 | R-IN (FAD IN) |
| 6 | CD-OUT |
| 7 | CD-IN |
| 8 | SIGNAL GND |



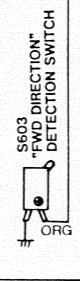
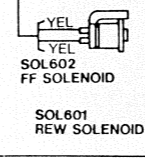
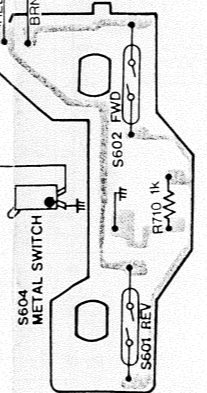
VR P.W.B



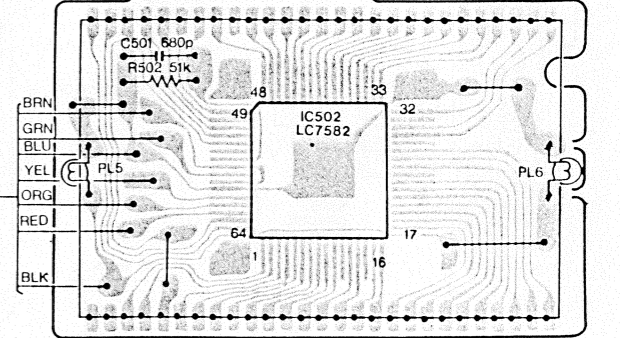
Fader P.W.B



852-9658-00

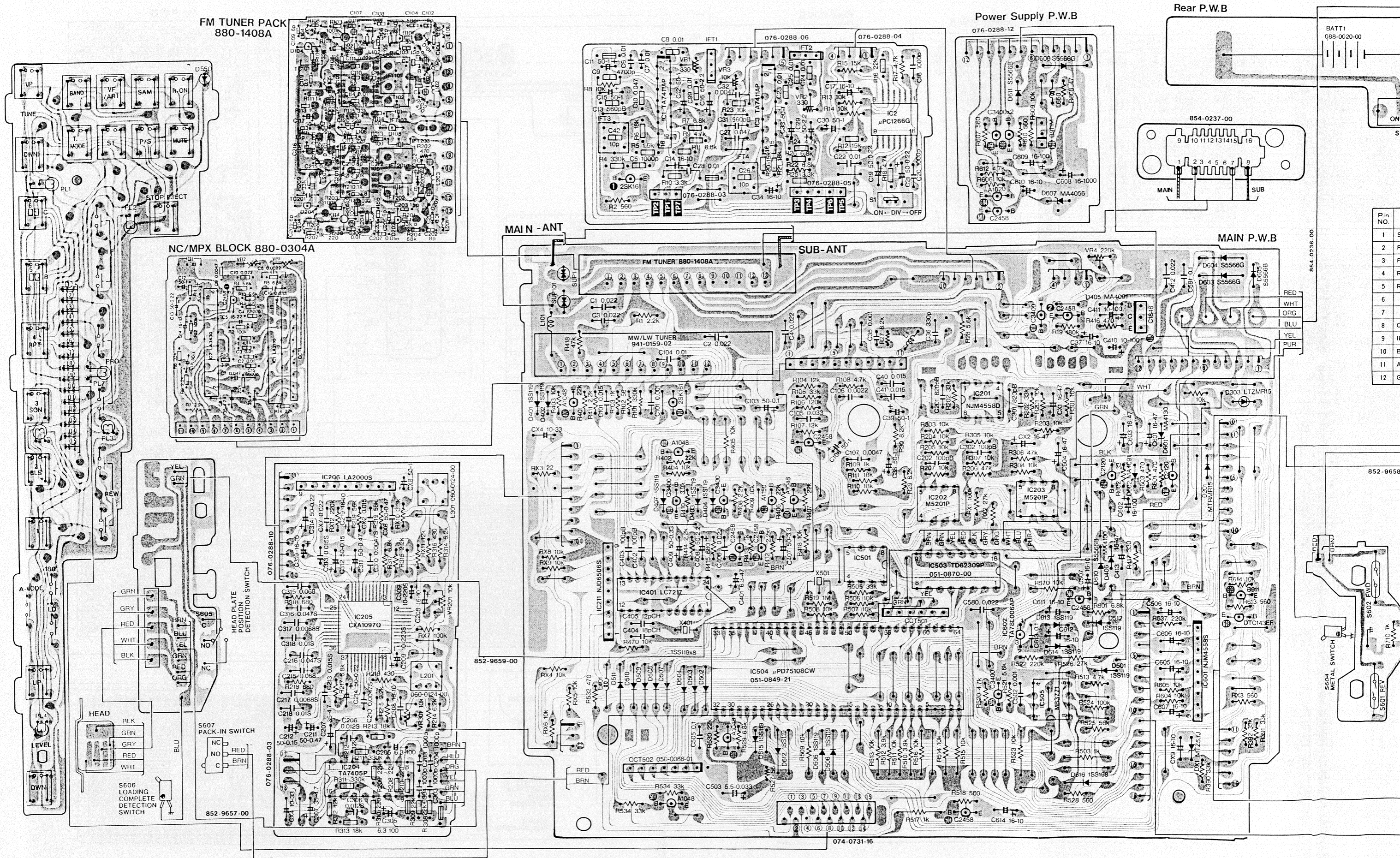


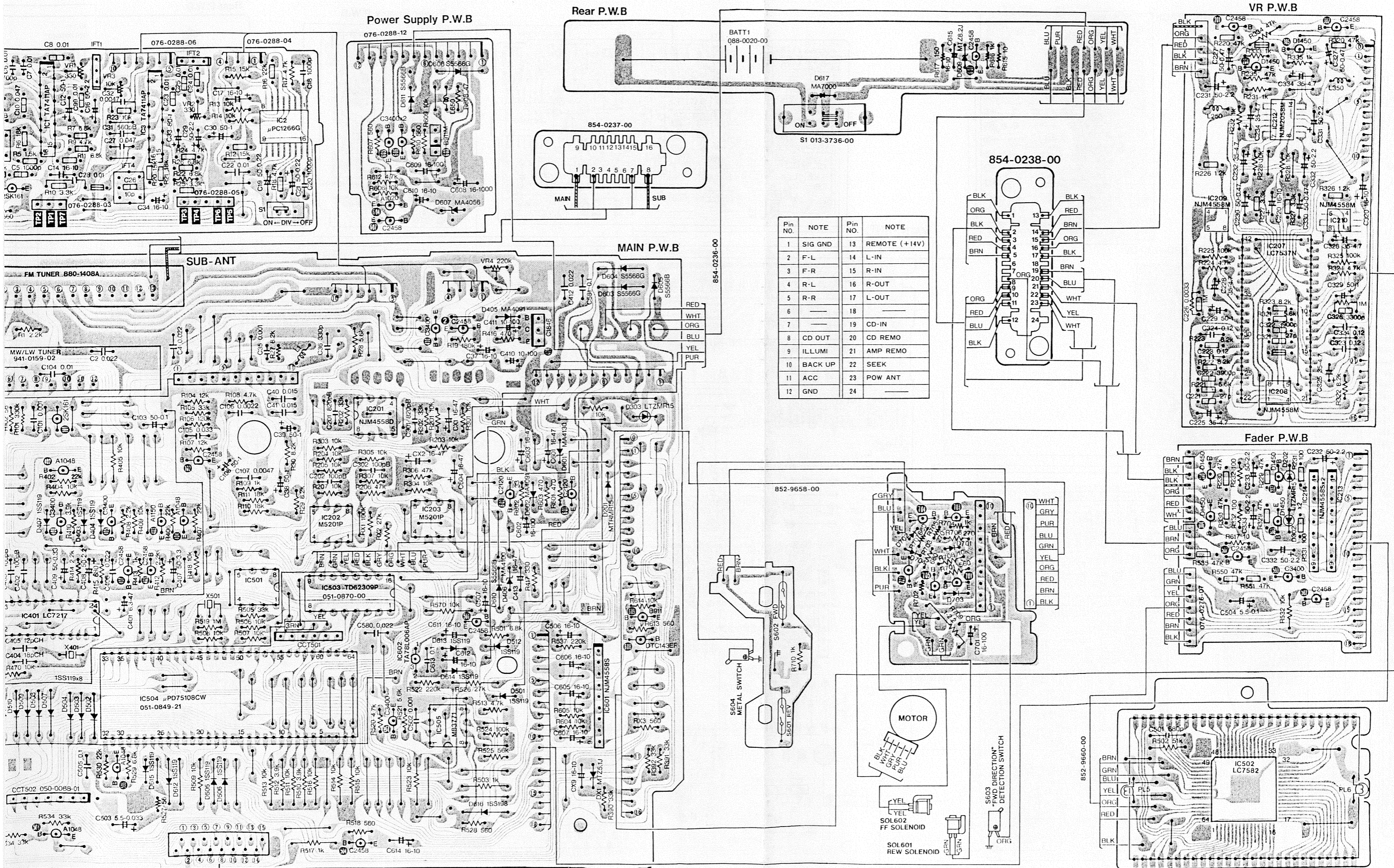
852-9660-00



PRINTED WIRING BOARD:

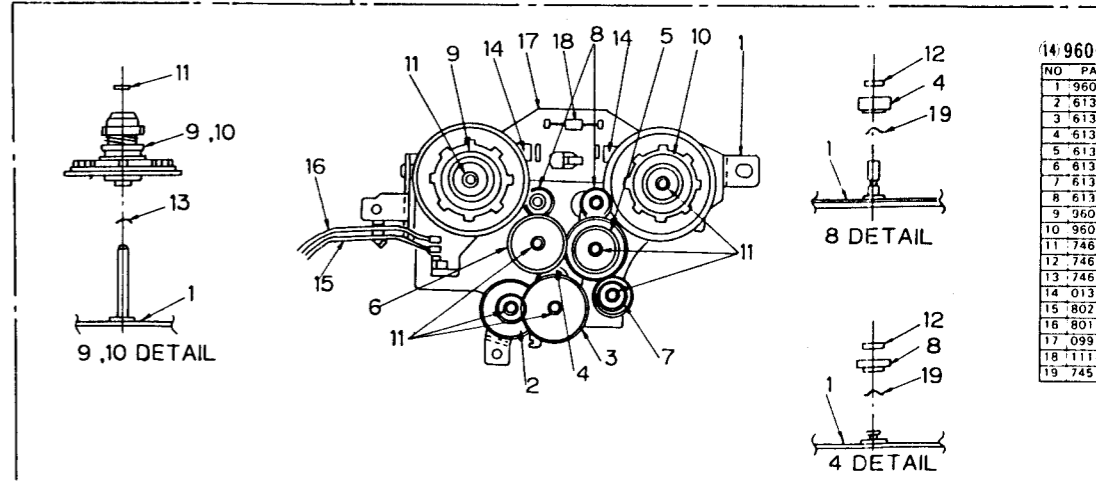
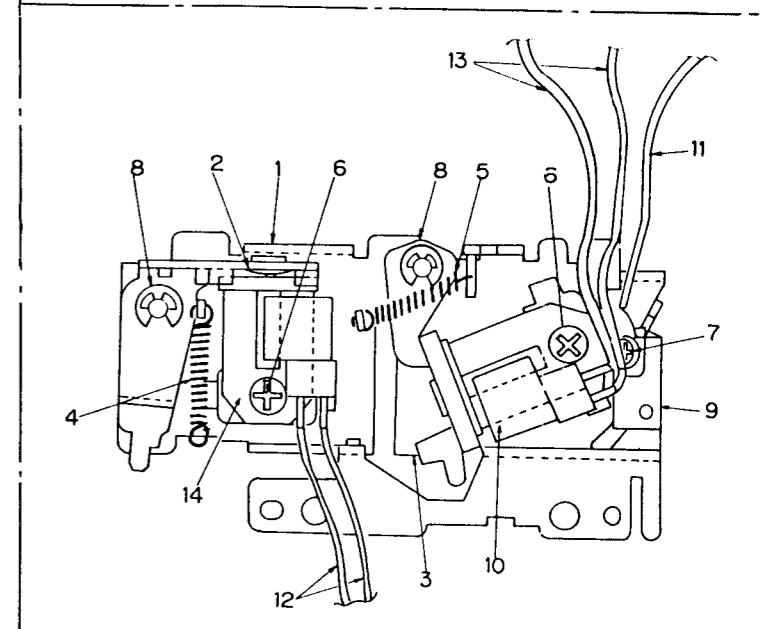
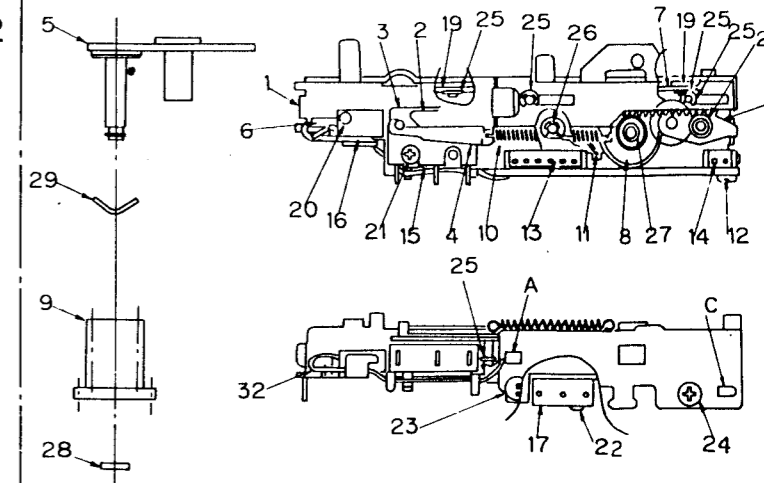
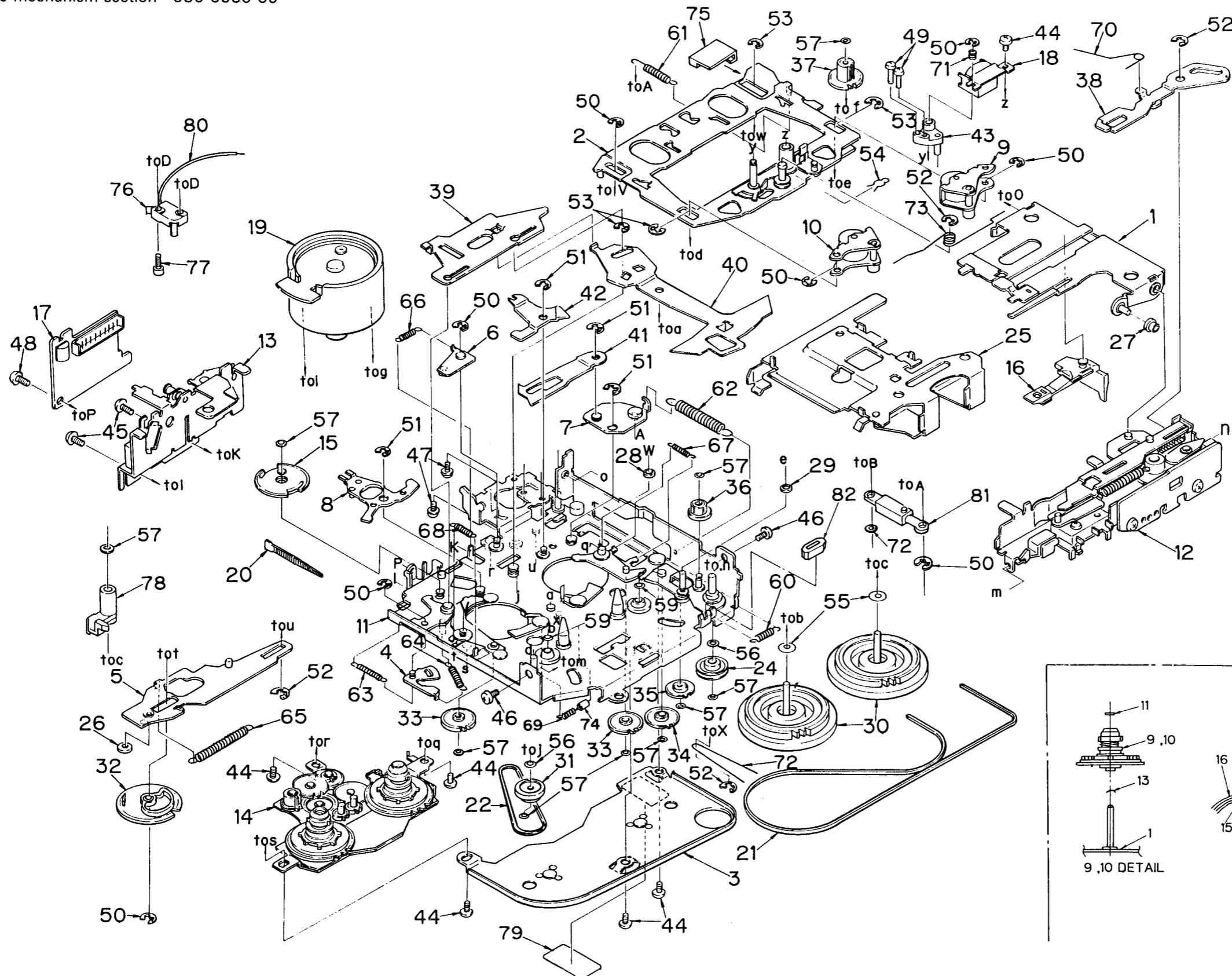
©986MXF





EXPLODED VIEW • PARTS LIST:

©Tape mechanism section 930-0530-09

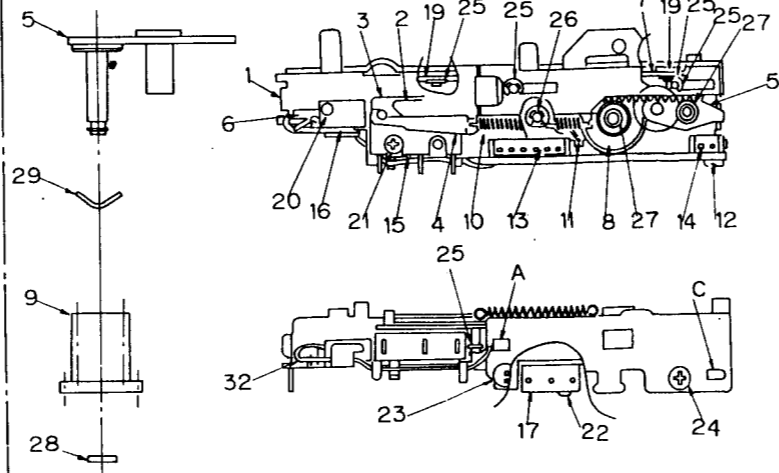
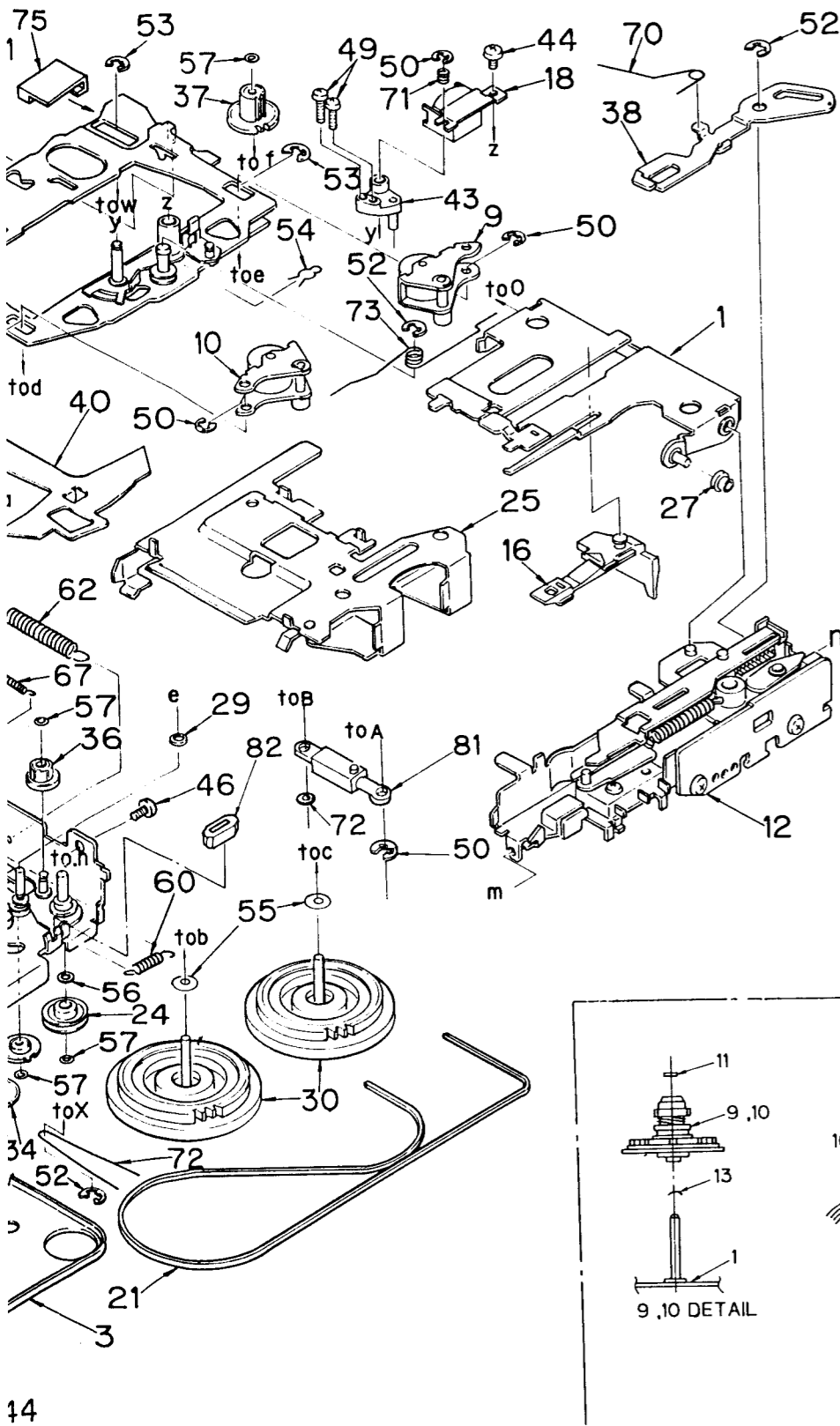


NO.	PART NO.	DESCRIPTION	Q'TY
1	960 3609-05	Guide arm ass'y	1
2	960 3612-05	Head plate ass'y	1
3	960 3617-00	Flywheel-P ass'y	1
4	960 3626-02	Timing-P ass'y	1
5	960 3627-04	Power-P ass'y	1
6	960 3628-01	P-lock-P ass'y	1
7	960 3631-06	Power link ass'y	1
8	960 3632-02	REW-link ass'y	1
9	960 3738-01	Roller-F ass'y	1
10	960 3739-01	Roller-R ass'y	1
11	960 3638-12	Deck plate ass'y	1
12	960 3639-06	Frame-sub ass'y (2)	1
13			
14			
15			
16			
17			
18			
19			

REF.NO.	PART NO.	DESCRIPTION	Q'TY
1	960-3609-05	Guide arm ass'y	1
2	960-3612-05	Head plate ass'y	1
3	960-3617-00	Flywheel-P ass'y	1
4	960-3626-02	Timing-P ass'y	1
5	960-3627-04	Power-P ass'y	1
6	960-3628-01	P-lock-P ass'y	1

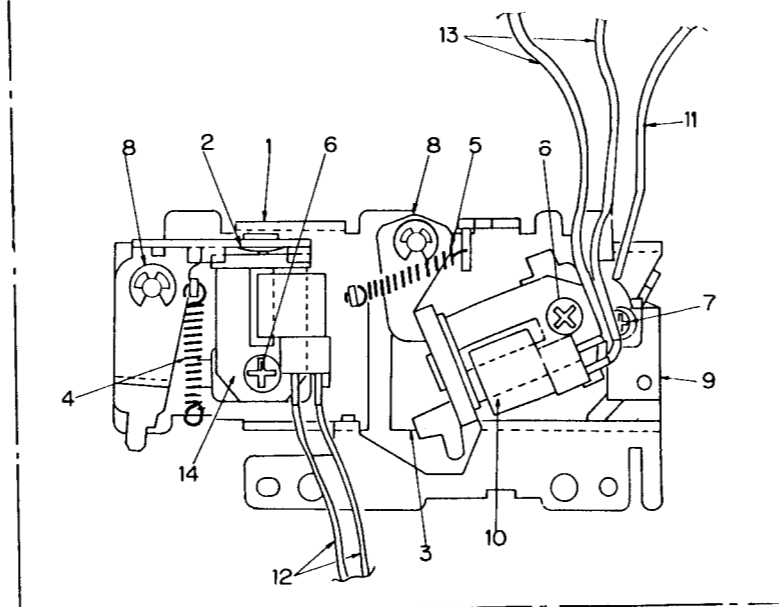
REF.NO.	PART NO.	DESCRIPTION	Q'TY
7	960-3631-06	Power link ass'y	1
8	960-3632-02	REW-link ass'y	1
9	960-3738-01	Roller-F ass'y	1
10	960-3739-01	Roller-R ass'y	1
11	960-3638-12	Deck plate ass'y	1
12	960-3639-06	Frame-sub ass'y (2)	1

REF.NO.	PART NO.	DESCRIPTION	Q'TY
13			
14			
15			
16			
17			
18			



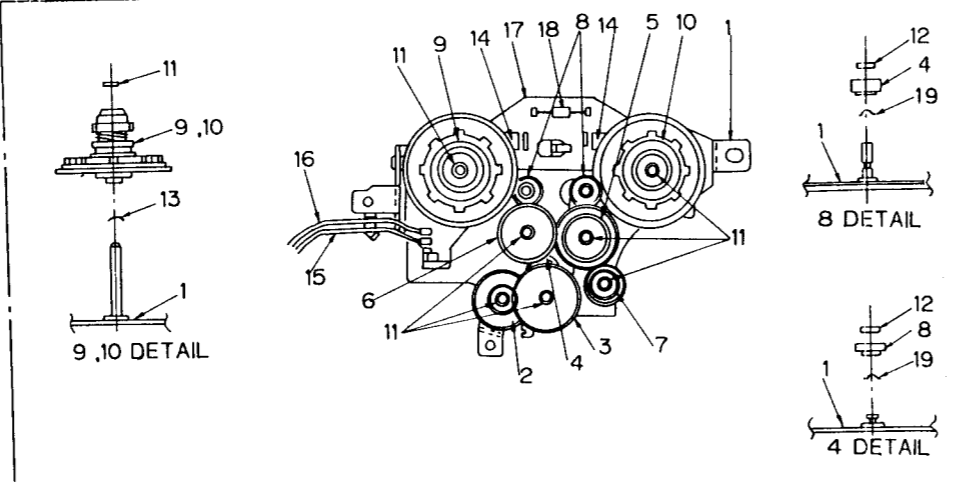
⑩960-3639-06 Frame-sub ass'y

NO	PART NO	DESCRIPTION	QTY
1	960 3611 04	FRAME ASS'Y	1
2	960 3619 03	EJ ARM P ASS'Y	1
3	630 1758 03	EJ RACK PLATE	1
4	960 3621 02	SW LINK ASS'Y	1
5	960 3620 05	SWING P ASS'Y	1
6	820 3005 02	VINYL TUBE	1
7	960 3618 03	EJECT P ASS'Y	1
8	613 0076 02	EJECT GEAR	1
9	613 0075 01	SWING GEAR	1
10	750 2404 00	EJ RACK SPRING	1
11	750 2419 01	EJ GEAR SPRING	1
12	099 7435 02	P.W.B	1
13	076 0277 06	PLUG	1
14	076 0277 02	PLUG	1
15	013 2690 05	SWITCH	1
16	013 3757 00	SWITCH	1
17	013 3780 00	SWITCH	1
18	806 0607 60	VINYL COAT WIRE	1
19	610 0258 00	EJECT ROLLER	2
20	716 0670 00	SPECIAL SCREW	1
21	714 2308 11	MACHINE SCREW(M2.3x8)	1
22	716 0656 00	SPECIAL SCREW	1
23	716 0485 00	SPECIAL SCREW	1
24	714 2604 81	MACHINE SCREW(M2.6x4)	1
25	743 1500 10	E-RING	5
26	743 2000 10	E-RING	1
27	746 0761 00	SPECIAL WASHER	2
28	746 0762 00	SPECIAL WASHER	1
29	745 0586 00	SPECIAL WASHER	1



⑬960-3640-09 Side-P-sub ass'y

NO	PART NO	DESCRIPTION	QTY
1	960 3610 06	SIDE PANEL ASS'Y	1
2	960 3623 05	PL LINK A ASS'Y	1
3	960 3624 06	PL LINK B ASS'Y	1
4	750 2408 00	PL SPRING A	1
5	750 2409 02	PL SPRING B	1
6	714 2606 11	MACHINE SCREW(M2.6x6)	2
7	716 0670 00	SCREW	1
8	743 1500 10	E-RING	2
9	013 3757 00	SWITCH	1
10	015 0232 02	PLUNGER	1
11	803 0608 60	VINYL COAT WIRE	1
12	804 0606 60	VINYL COAT WIRE	2
13	805 0609 60	VINYL COAT WIRE	2
14	015 0238 00	PLUNGER	1



⑭960-3641-07 Reel-B-sub ass'y

NO	PART NO	DESCRIPTION	QTY
1	960 3613 05	REEL BASE P ASS'Y	1
2	613 0061 01	POWER GEAR A	1
3	613 0062 00	POWER GEAR B	1
4	613 0066 01	P IDLER GEAR	1
5	613 0063 00	POWER GEAR C	1
6	613 0064 01	POWER GEAR D	1
7	613 0065 00	POWER GEAR E	1
8	613 0069 00	IDLER GEAR	2
9	960 3634 02	REELBASE F ASS'Y	1
10	960 3635 02	REELBASE R ASS'Y	1
11	746 0761 00	SPECIAL WASHER	7
12	746 0762 00	SPECIAL WASHER	3
13	746 0712 01	SPECIAL WASHER	2
14	013 3707 00	SWITCH	2
15	802 0615 60	VINYL COAT WIRE	1
16	801 0615 60	VINYL COAT WIRE	1
17	099 7216 02	P.W.B	1
18	1111 1021 91	FILM RESISTOR(1/4W5%1kΩ)	1
19	745 0678 01	SPECIAL WASHER	3

REF.NO.	PART NO.	DESCRIPTION	Q'TY
19	SMA-105-100	Motor ass'y	1
20	335-0833-01	Clamp	1
21	602-0097-00	Belt-A	1
22	602-0098-02	Belt-B	1
23	750-2421-00	Change-A spring	1
24	604-0033-00	Tension pulley	1
25	606-0079-06	Pack guide	1
26	610-0266-00	Cam roller	1
27	610-0267-00	Guide roller	1
28	610-0281-00	Head-P-roller	1
29	610-0282-00	H-P-roller B	1
30	611-0072-02	Flywheel	2
31	613-0060-02	Pulley gear	1
32	613-0067-05	Cam gear	1
33	613-0070-00	FF-gear	2
34	613-0071-00	Loading gear-A	1
35	613-0072-00	Loading gear-B	1
36	613-0073-00	Loading gear-C	1
37	613-0074-00	Loading gear-D	1
38	630-1759-03	Eject arm	1
39	630-1760-02	Change plate	1
40	630-1761-00	Change arm	1
41	630-1762-02	Head lock plate	1
42	630-1763-01	FF-link	1
43	631-0461-01	Azimuth link	1
44	714-2003-81	Machine screw (M2x3)	6
45	714-2603-81	Machine screw (M2.6x3)	2
46	714-2604-81	Machine screw (M2.6x4)	2
47	716-0347-00	Screw (MOTOR)	2
48	716-0485-00	Screw (P.W.B)	1
49	716-0654-01	Screw (AZIMUTH)	2
50	743-1500-10	E-ring (M1.5)	8
51	743-2000-10	E-ring (M2)	4
52	743-2500-10	E-ring (M2.5)	4
53	744-0031-10	E-ring	4
54	744-0028-00	Snap retainer	1
55	745-0646-00	Washer (FLYWHEEL)	2
56	746-0624-00	Washer	2
57	746-0761-00	Washer	10
59	746-0747-00	Washer (BEARING)	2
60	750-2405-02	Loading spring	1
61	750-2406-03	Head-P-spring	1
62	750-2407-03	P-link spring	1
63	750-2410-00	G-lock spring	1
64	750-2411-00	Timing spring	1
65	750-2412-00	Power-P-spring	1
66	750-2413-00	P-lock spring	1
67	750-2414-02	FF-spring	1
68	750-2415-01	REW-spring	1
69	750-2416-01	Brake spring	1
70	750-2418-02	EJ-arm spring-B	1
71	750-2420-00	Azimuth spring	1
72	746-0762-00	Washer	1
73	750-2422-03	Roller spring	1
74	820-4006-02	Vinyl tube	1
75	631-0540-00	Stopper B	1
76	013-3757-00	Switch	1
77	716-0670-00	Screw	1
78	631-0528-01	Sensor link	1
79	290-4065-01	Care label	1
80	804-0608-60	Vinyl coat	1
81	960-3824-00	Dumper ass'y	1
82	631-0539-00	Stopper A	1

REF.NO.	PART NO.	DESCRIPTION	Q'TY
1	960-3609-05	Guide arm ass'y	1
2	960-3612-05	Head plate ass'y	1
3	960-3617-00	Flywheel-P ass'y	1
4	960-3626-02	Timing-P ass'y	1
5	960-3627-04	Power-P ass'y	1
6	960-3628-01	P-lock-P ass'y	1

REF.NO.	PART NO.	DESCRIPTION	Q'TY
7	960-3631-06	Power link ass'y	1
8	960-3632-02	REW-link ass'y	1
9	960-3738-01	Roller-F ass'y	1
10	960-3739-01	Roller-R ass'y	1
11	960-3638-12	Deck plate ass'y	1
12	960-3639-06	Frame-sub ass'y ⑩	1

REF.NO.	PART NO.	DESCRIPTION	Q'TY
13	960-3640-09	Side-P-sub ass'y ⑬	1
14	960-3641-07	Reel-B-sub ass'y ⑭	1
15	960-3642-03	CH-gear ass'y	1
16	960-3643-02	Pack-ST ass'y	1
17	099-7670-03	P.W.B	1
18	011-0296-11	Head	1